



## Heater Thermostat Enclosure

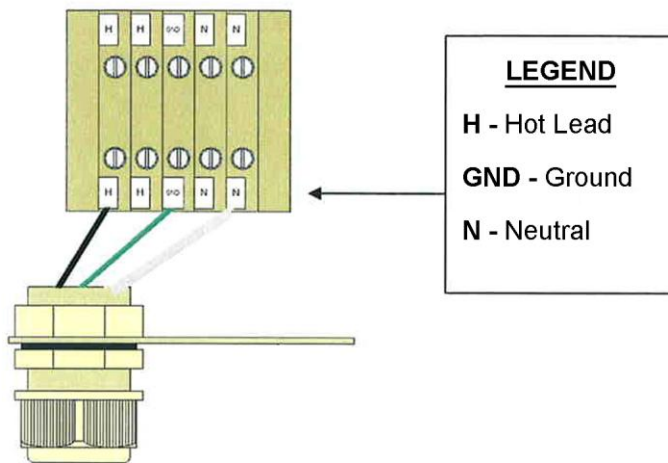
### Wiring Instructions

**Warning:** To prevent the risk of electric shock and equipment damage, disconnect any power supply to the enclosure before installing, maintaining or trouble-shooting this product or any products inside the enclosure. All electrical connections should be made by a licensed electrician. All local and national codes should be followed as applicable.

### Circuit Requirements

The enclosure should be connected to a 120VAC, 15A feeder circuit. The circuit breaker of the feeder circuit is considered to be the disconnect device for the enclosure. Therefore, this circuit breaker should be readily accessible. The strain relief (liquid tight cord connector) is suitable for flexible cord with a diameter of 10mm. We recommend using S-W or S-J cord, min 16 AWG. The supply line used to feed power to the feeder circuit should be rated for outdoor use.

### Running Power to the Unit



1. The Black wire represents the hot lead and should be attached to the terminal block labeled "H".
2. The Green wire represents the ground connection and should be attached to "GND".
3. The Gray wire represents neutral and should be attached to "N".